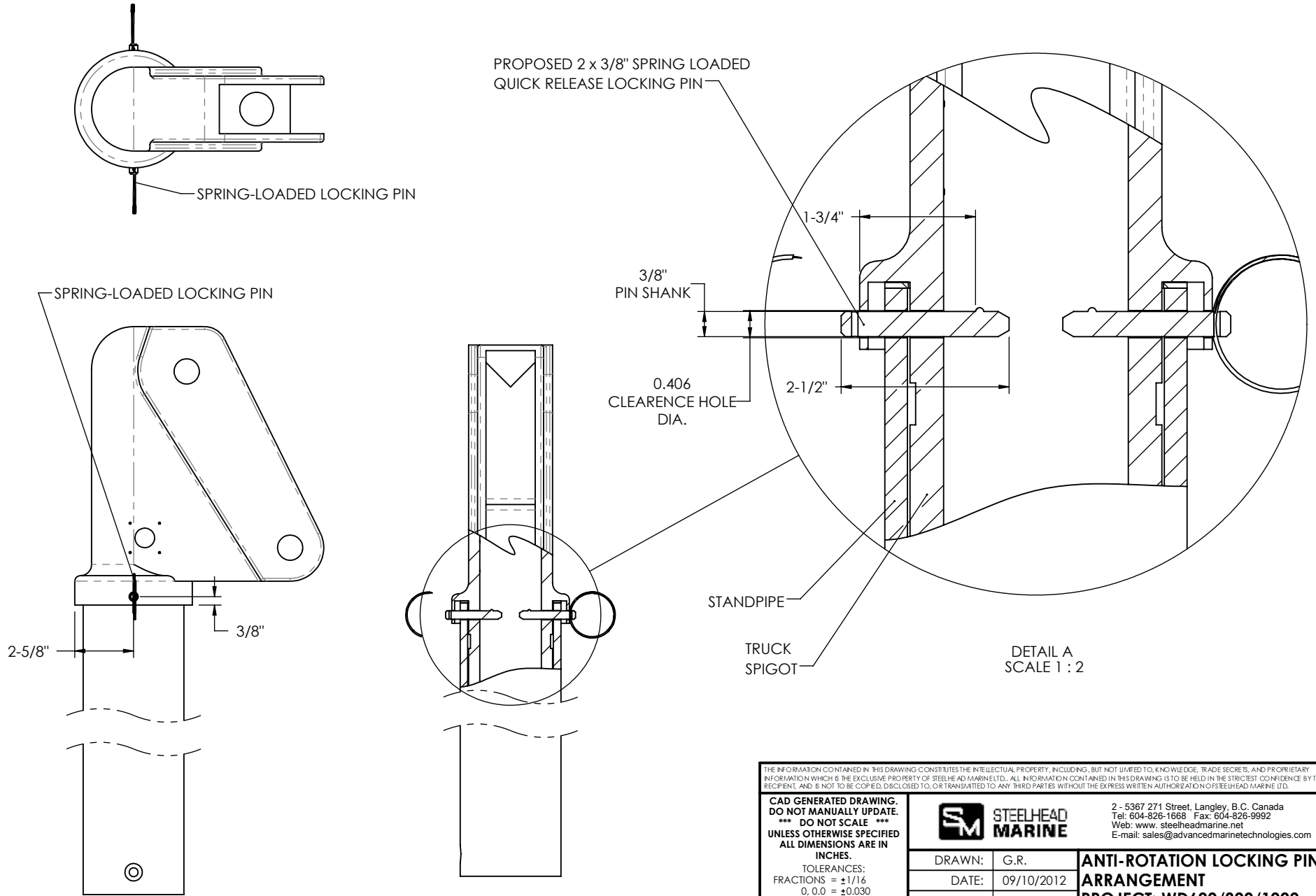


PROPOSED ANTI-ROTATION LOCKING PIN DETAIL



THE INFORMATION CONTAINED IN THIS DRAWING CONSTITUTES THE INTELLECTUAL PROPERTY, INCLUDING, BUT NOT LIMITED TO, KNOWLEDGE, TRADE SECRETS, AND PROPRIETARY INFORMATION WHICH IS THE EXCLUSIVE PROPERTY OF STEELHEAD MARINE LTD., ALL INFORMATION CONTAINED IN THIS DRAWING IS TO BE HELD IN THE STRICTEST CONFIDENCE BY THE RECIPIENT, AND IS NOT TO BE COPIED, DISCLOSED TO, OR TRANSMITTED TO ANY THIRD PARTIES WITHOUT THE EXPRESS WRITTEN AUTHORIZATION OF STEELHEAD MARINE LTD.

**CAD GENERATED DRAWING.
DO NOT MANUALLY UPDATE.
*** DO NOT SCALE ***
UNLESS OTHERWISE SPECIFIED
ALL DIMENSIONS ARE IN
INCHES.**

TOLERANCES:
FRACTIONS = ±1/16
0, 0.0 = ±0.030
0.00 = ±0.010
0.000 = ±0.005
ANGLES = ±1.0



2 - 5367 271 Street, Langley, B.C. Canada
Tel: 604-826-1668 Fax: 604-826-9992
Web: www.steelheadmarine.net
E-mail: sales@advancedmarinetechnologies.com

DRAWN:	G.R.
DATE:	09/10/2012
CHECKED:	
APPROVED:	
SCALE:	1:6

ANTI-ROTATION LOCKING PIN ARRANGEMENT	
PROJECT: WD600/800/1000	
DWG. NO.:	WD06-RLP01
SHEET:	1 OF 1
REV.:	

3rd ANGLE PROJ. Ⓢ